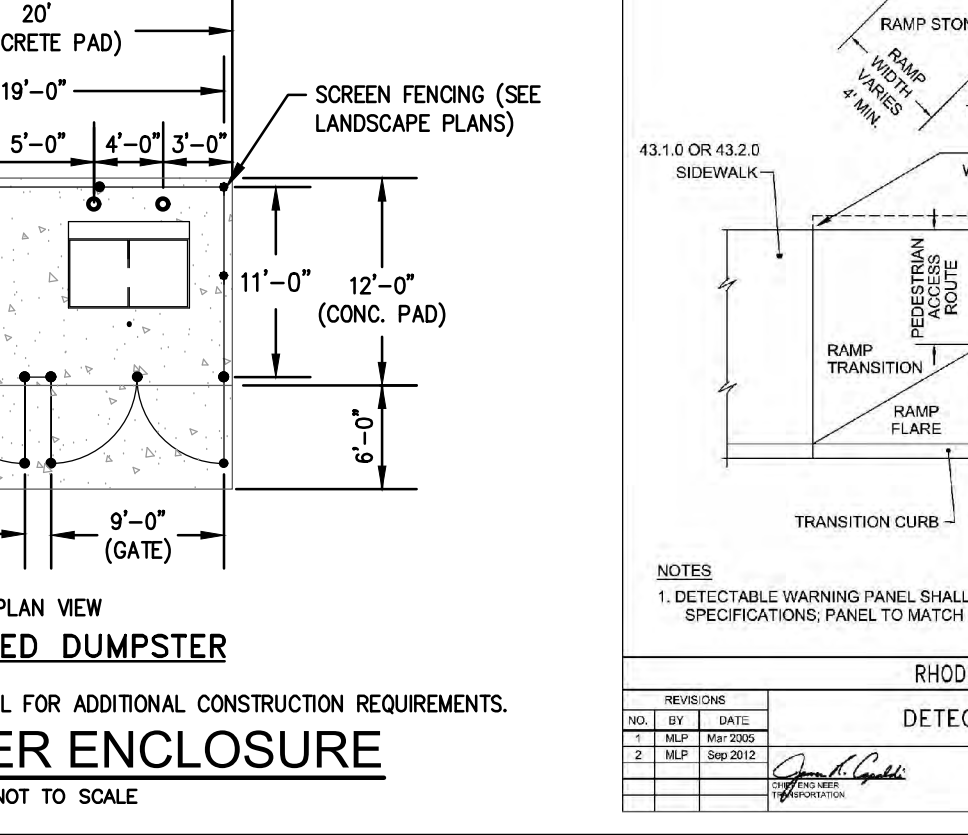
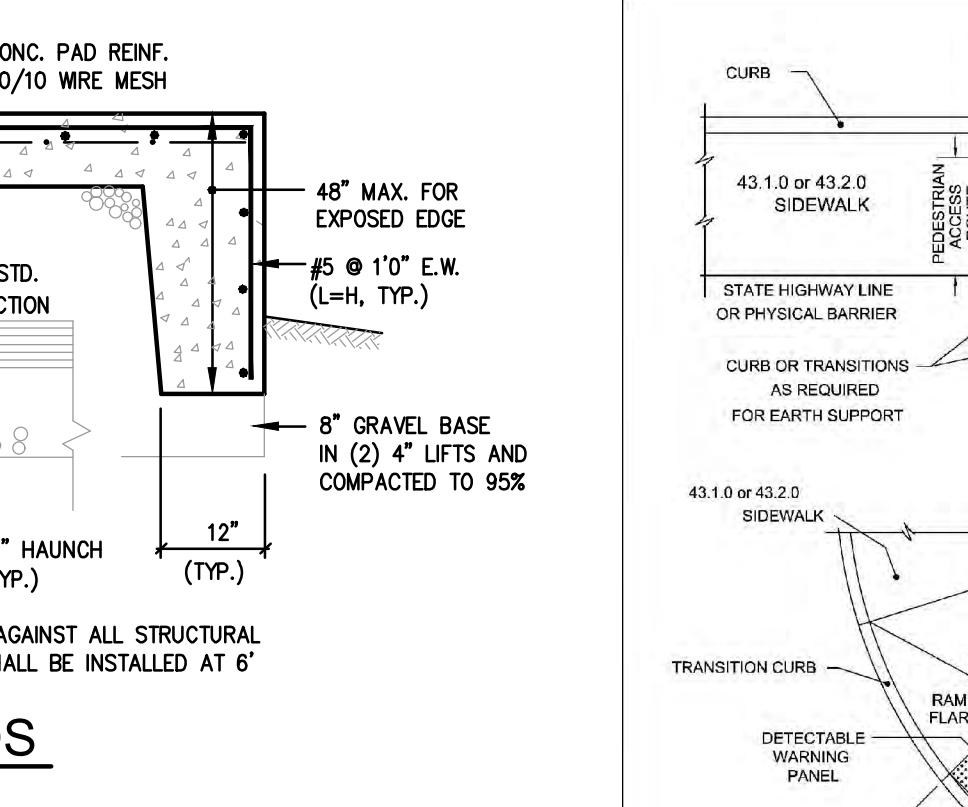
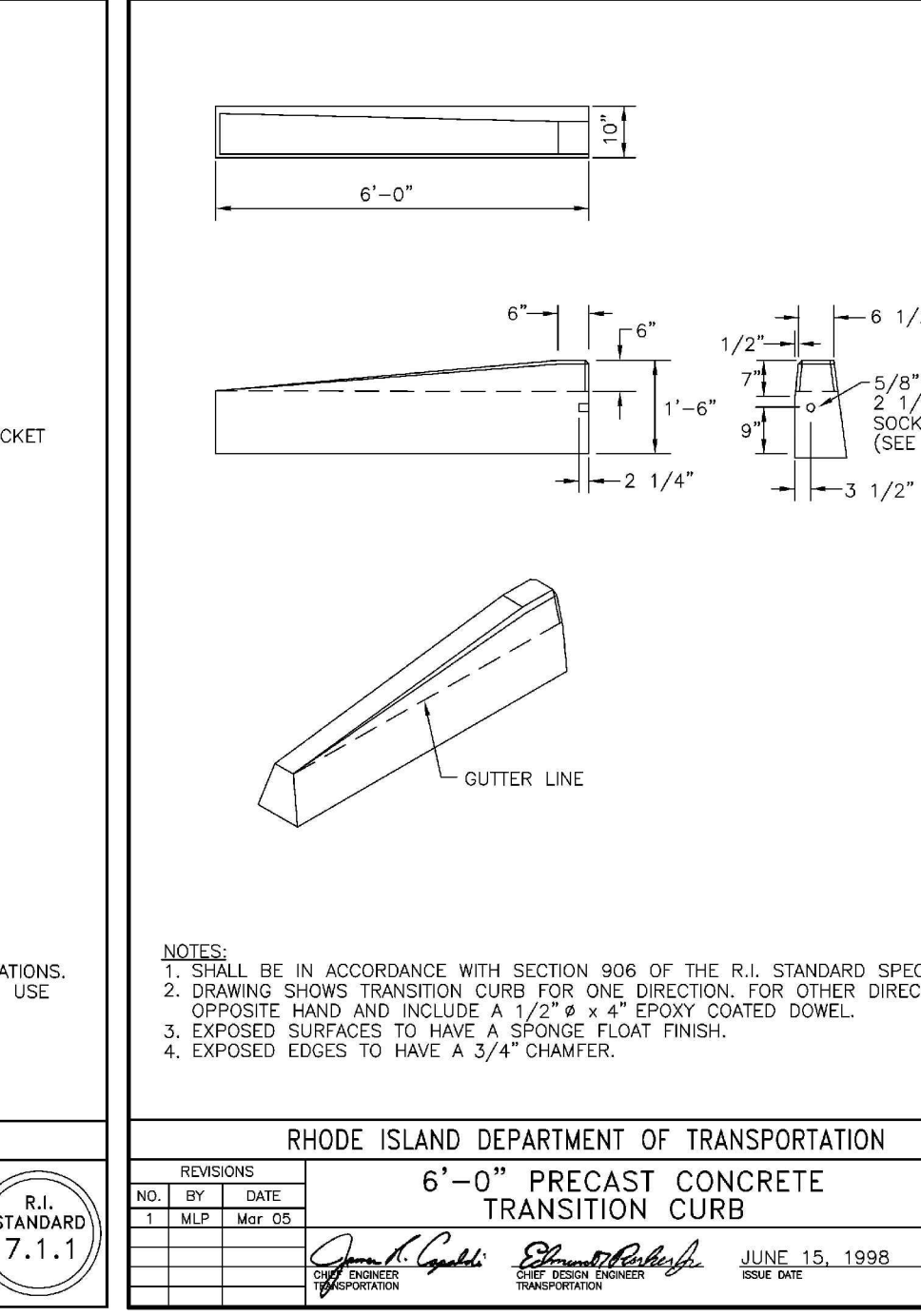
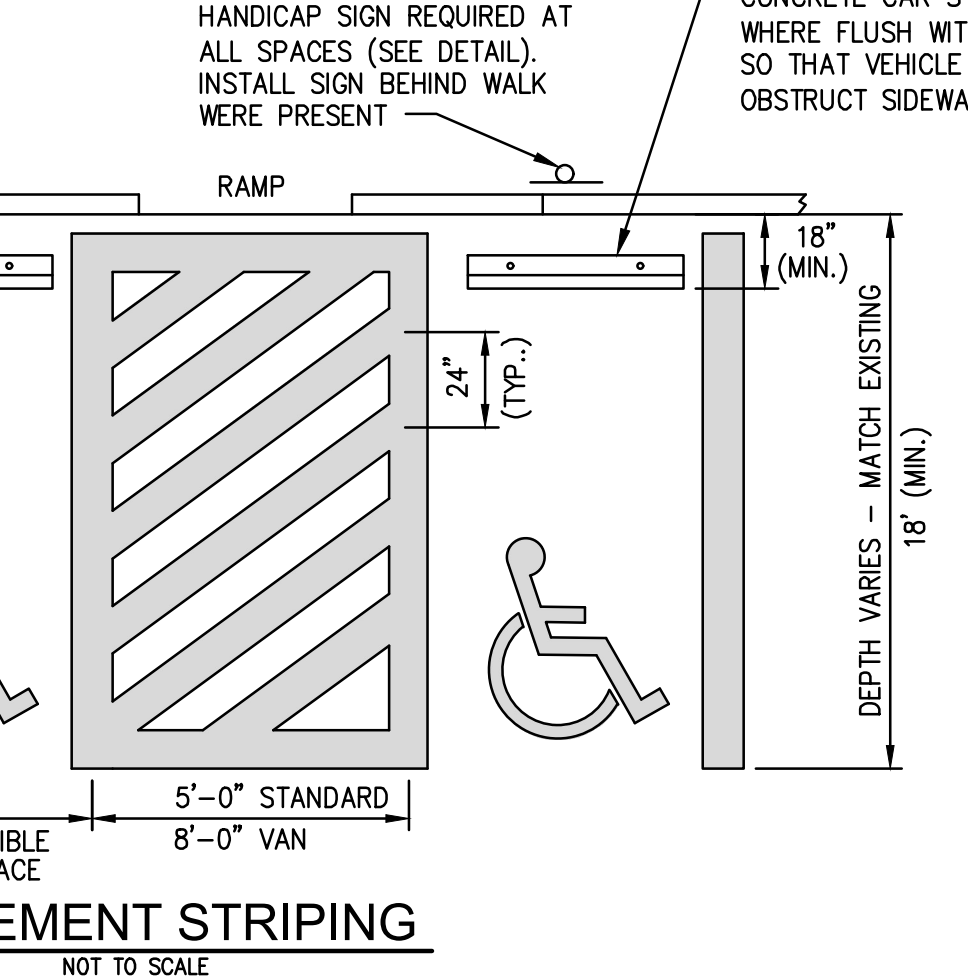
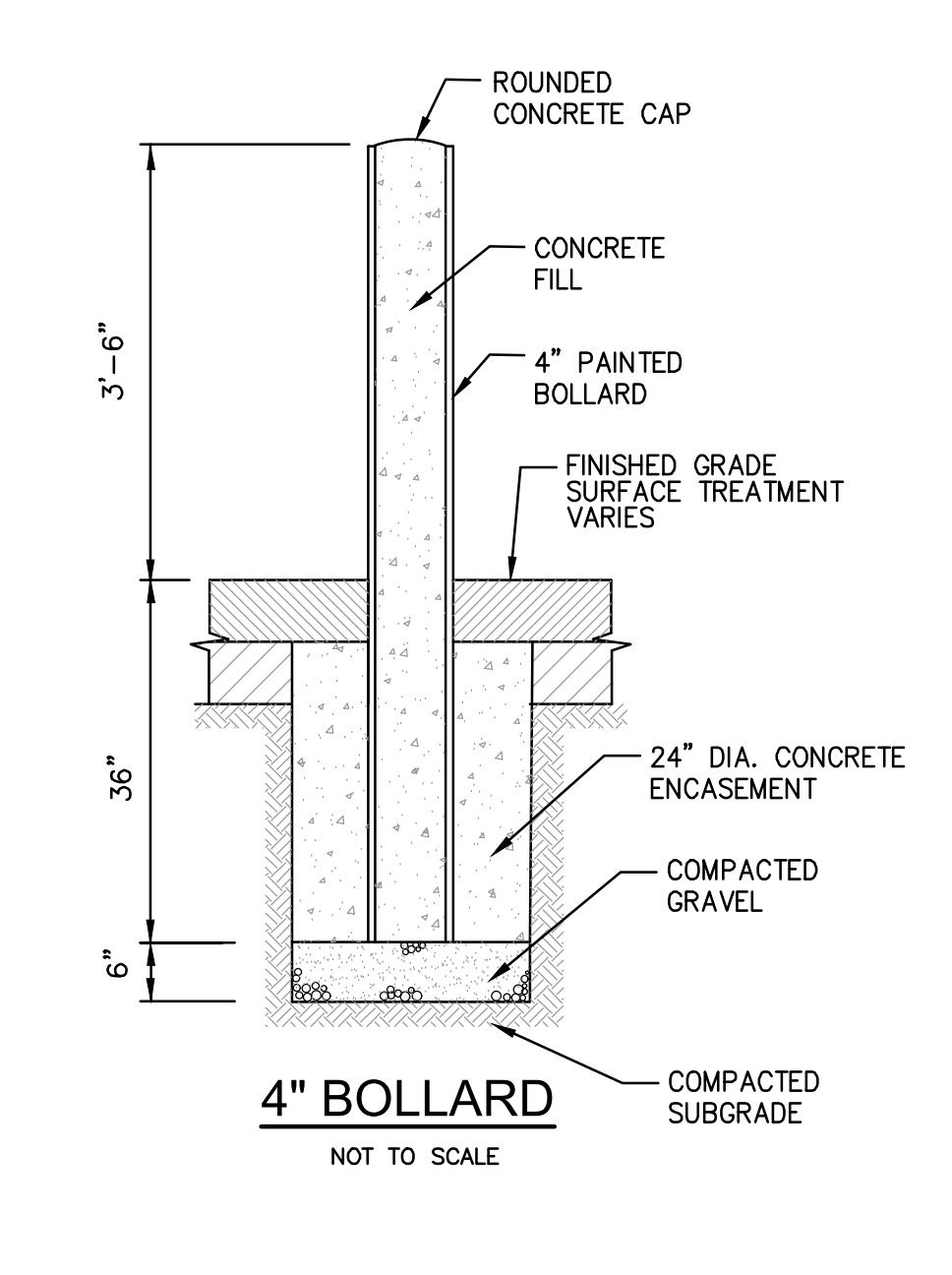


MAJOR LAND DEVELOPMENT  
SOUTH KINGSTOWN HIGH SCHOOL  
A.P. 49-4 LOT 14 & AP 57-1 LOT 209  
215 COLUMBIA STREET & 153 SCHOOL STREET  
SOUTH KINGSTOWN, RI 02879

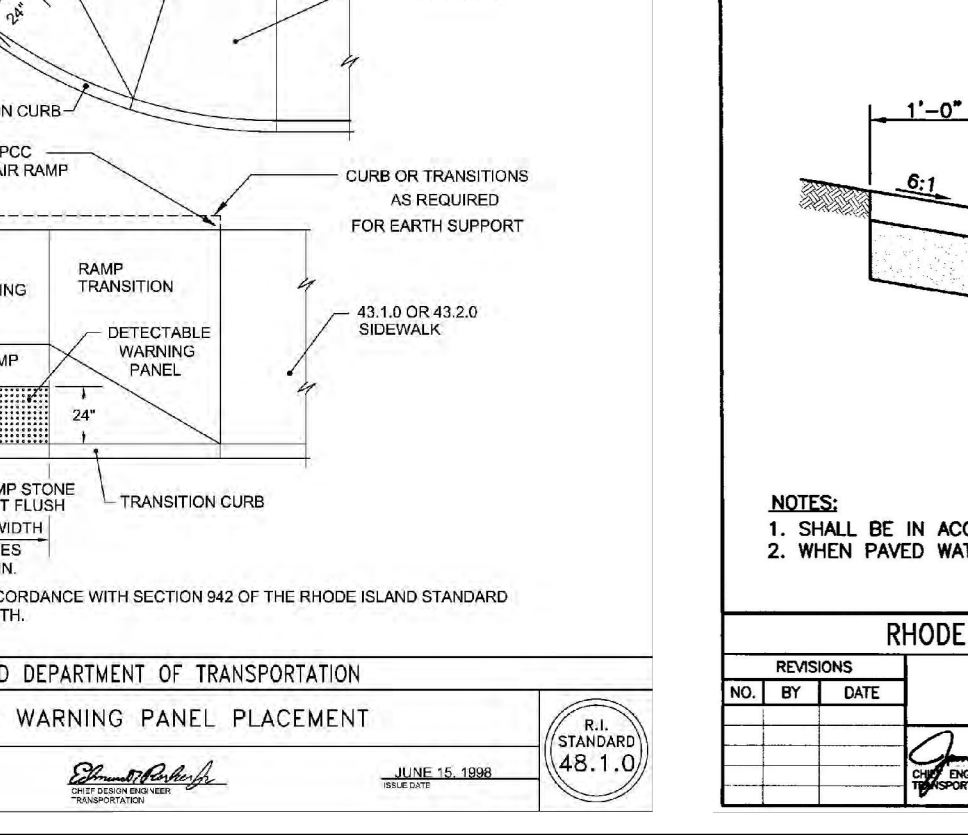
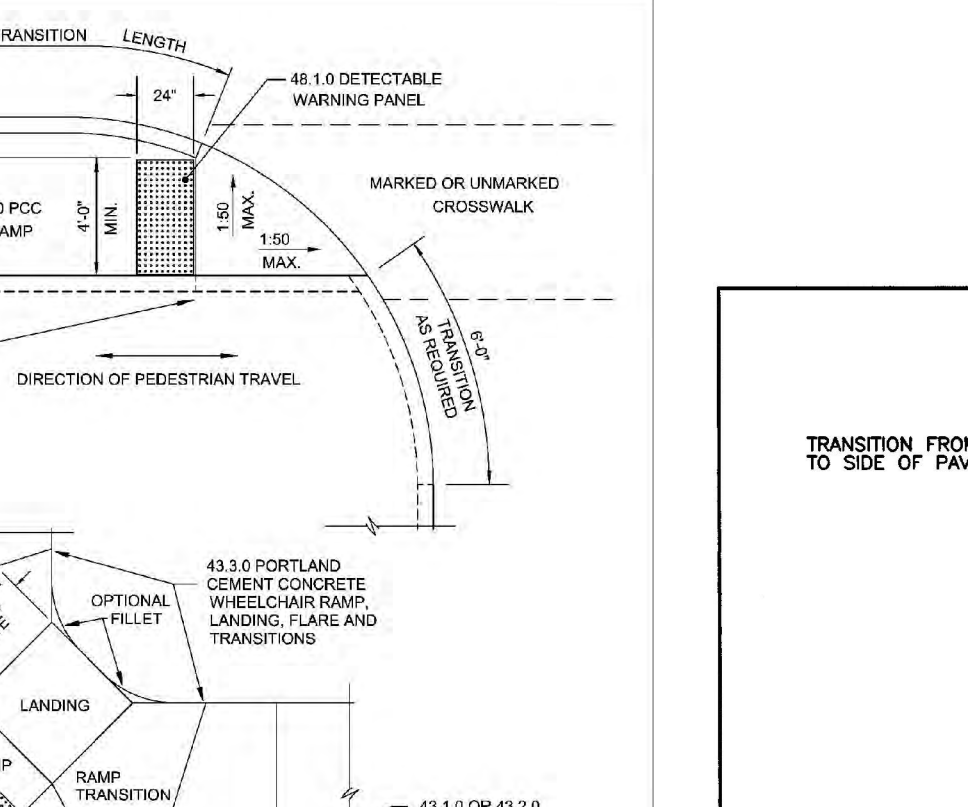
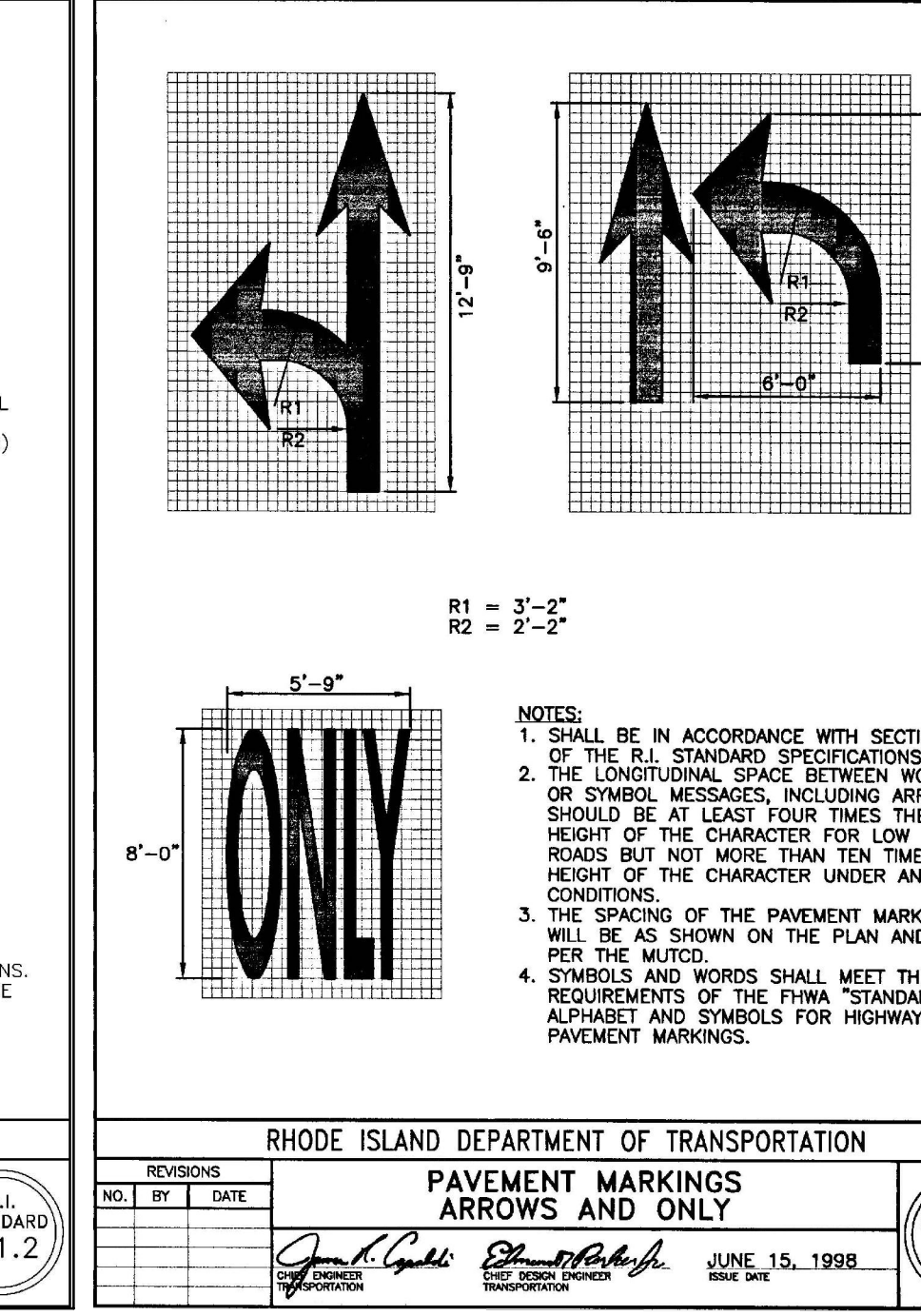
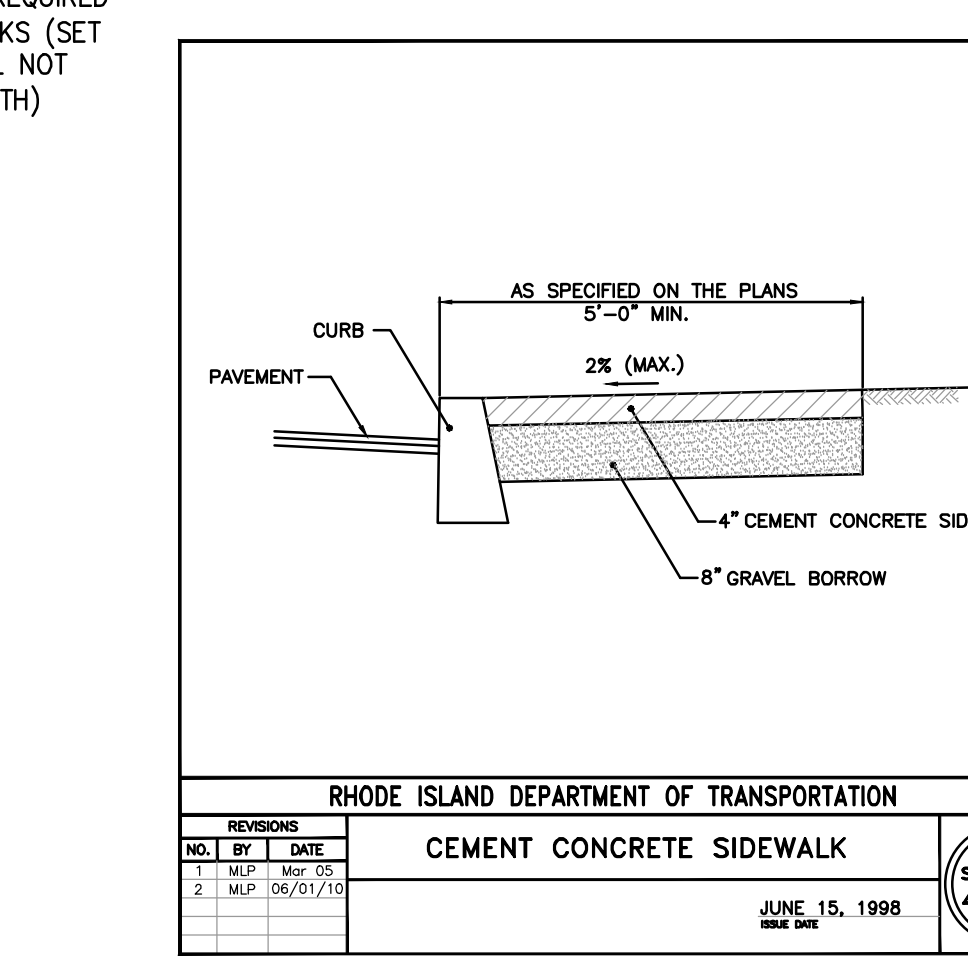
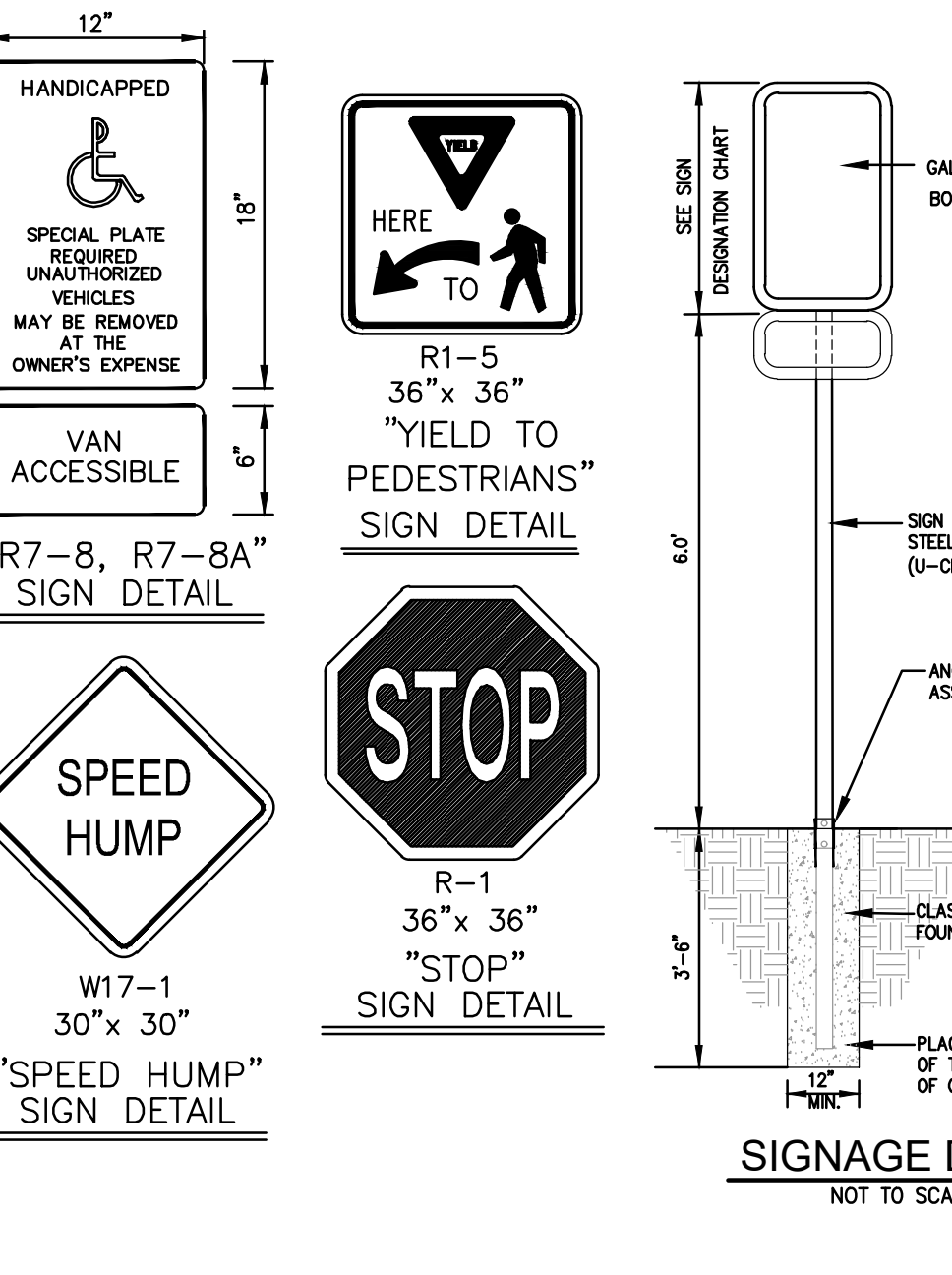
TOWN OF SOUTH KINGSTOWN  
SOUTH KINGSTOWN SCHOOL DEPARTMENT  
307 CURTIS CORNER RD.  
SOUTH KINGSTOWN, RI 02879

ZONE: GOVERNMENT & INSTITUTIONAL INSTITUTION  
DISTRICT CODE: Zone "X"  
Plan No. 44400303K  
Effective Date: 4/3/2020



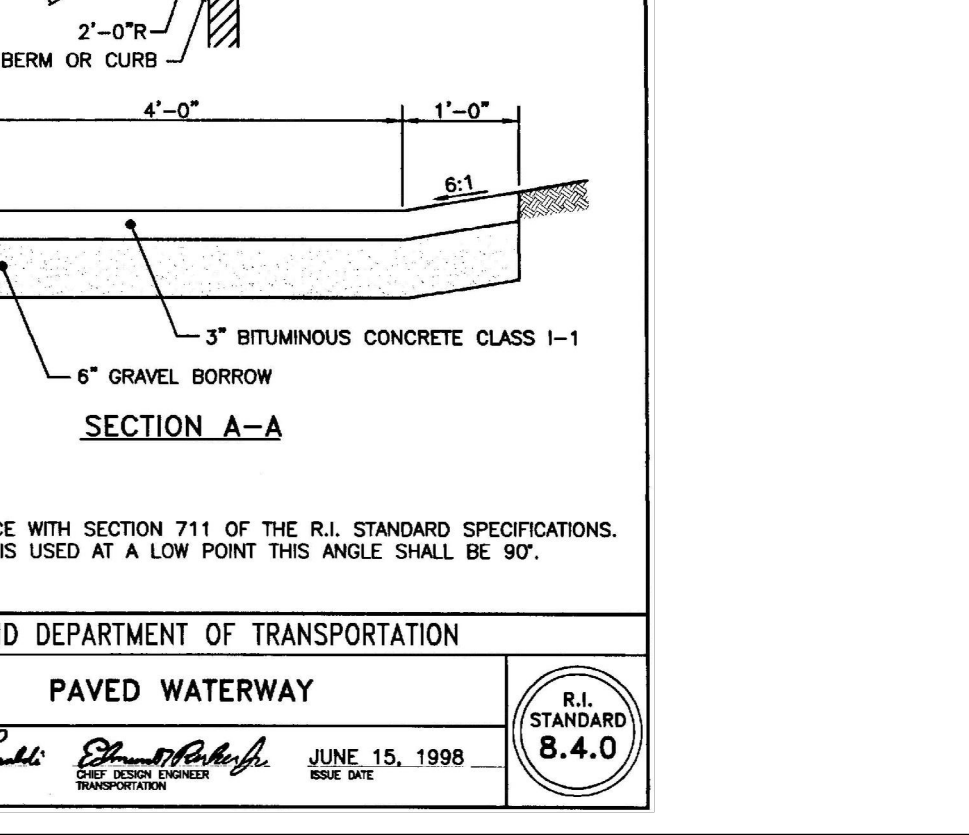
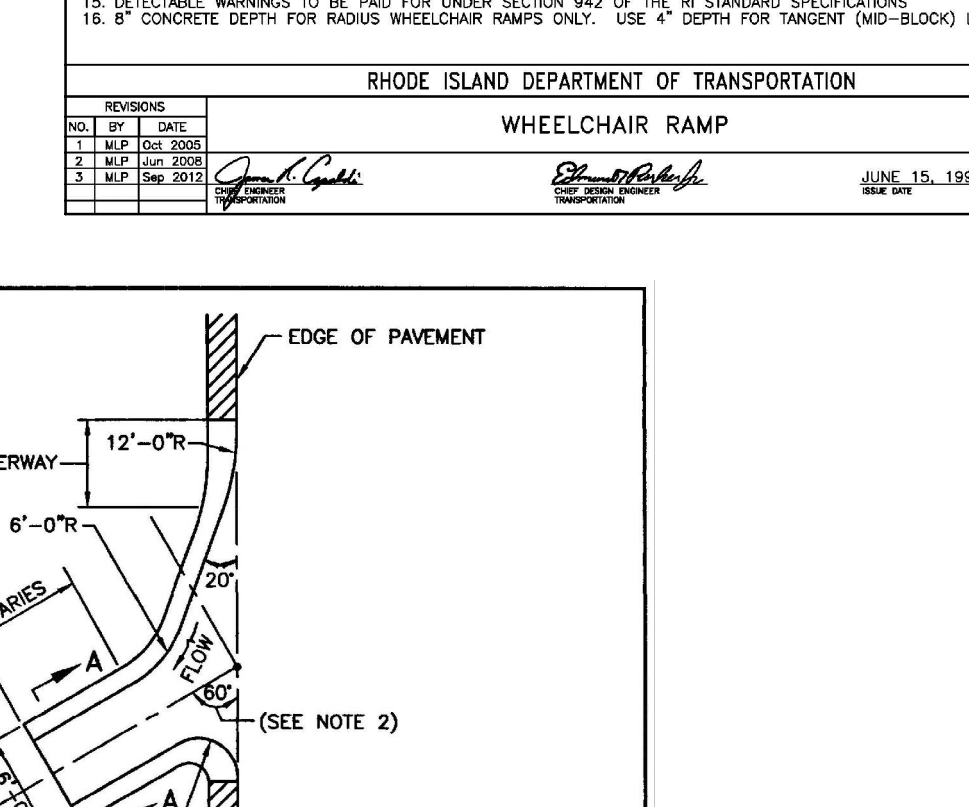
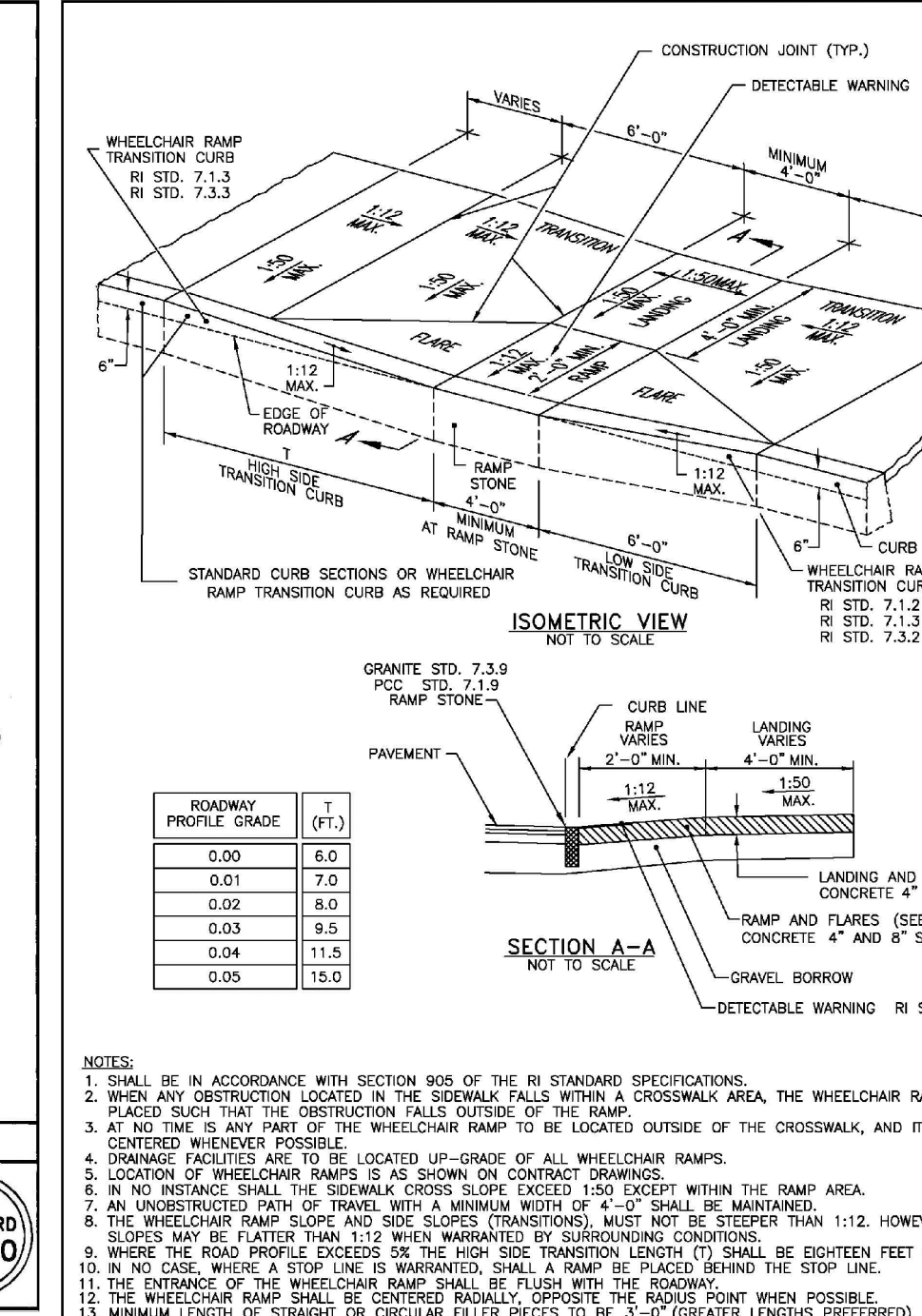
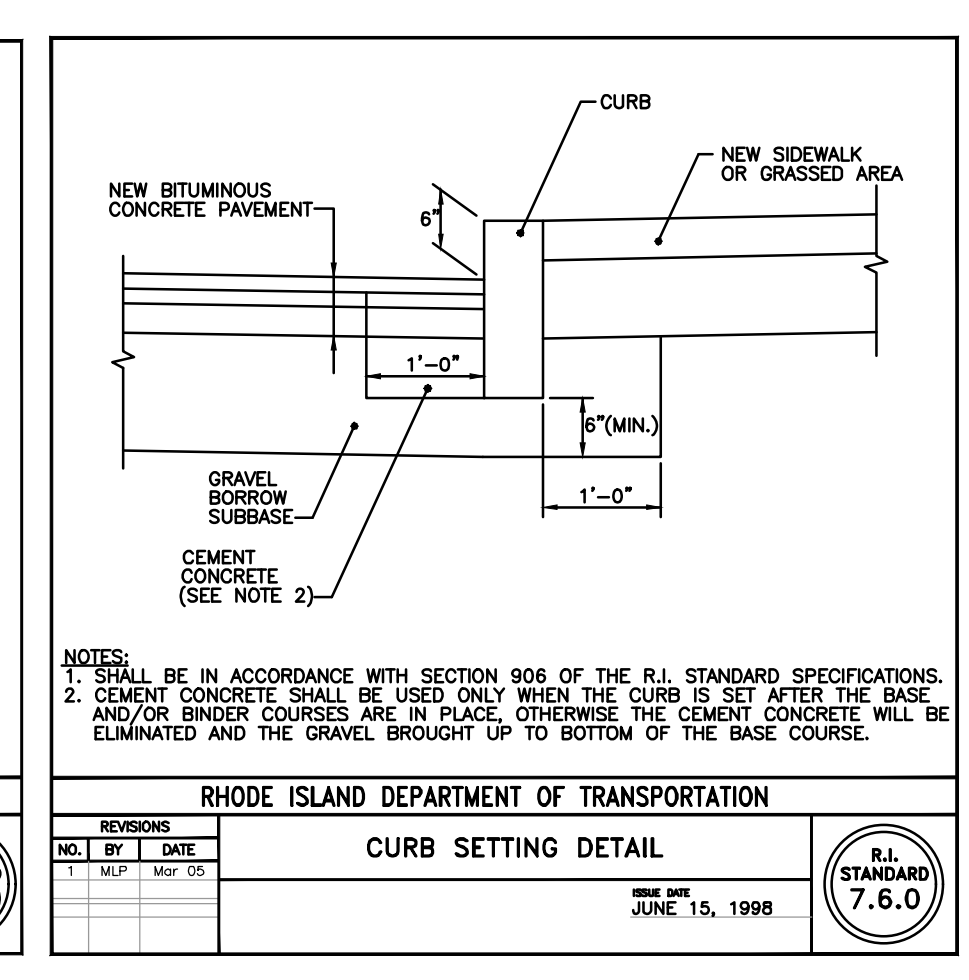
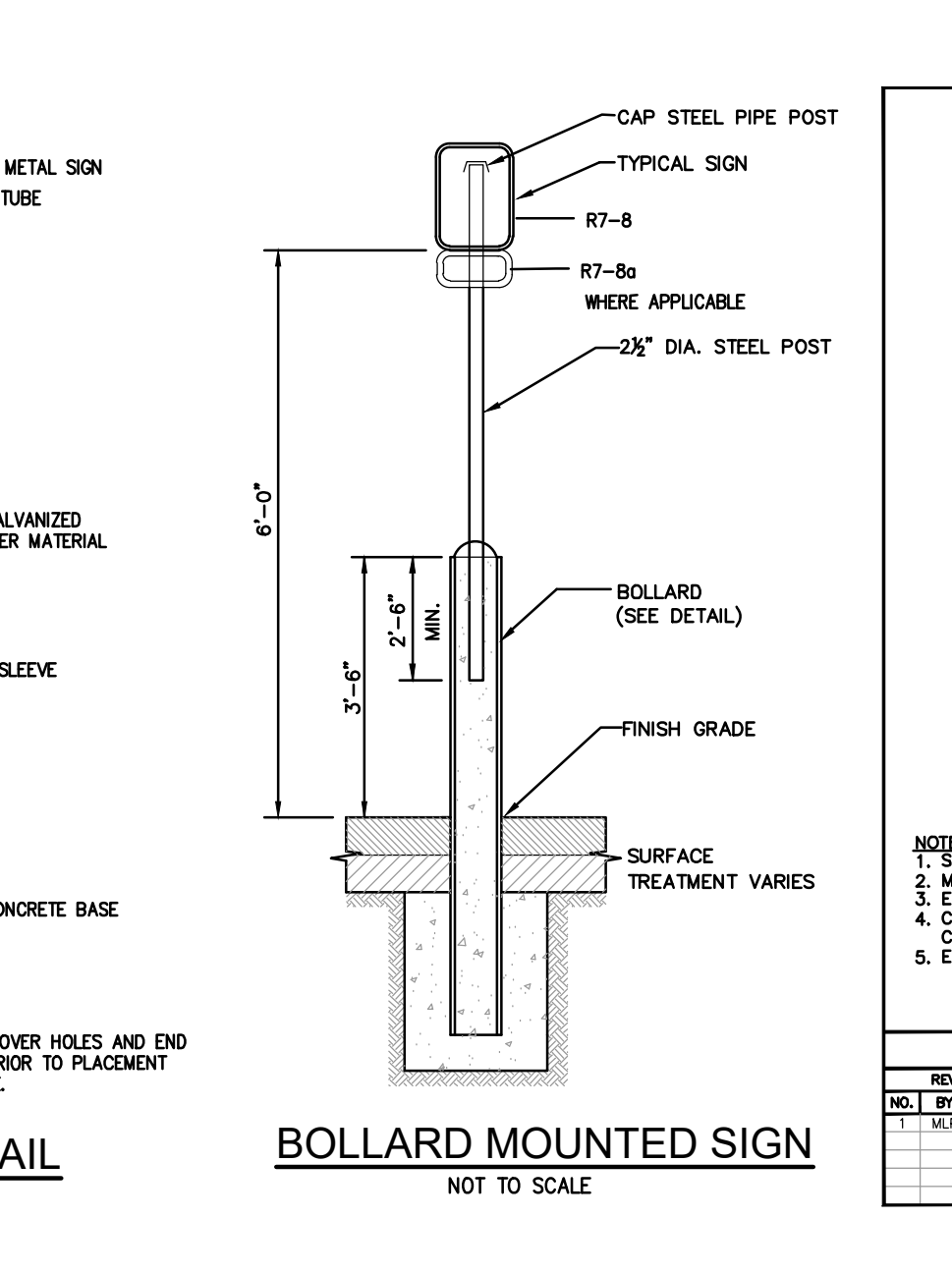
RHODE ISLAND DEPARTMENT OF TRANSPORTATION  
REVISIONS  
NO. BY DATE  
1 JLP 06/15/1998  
2 JLP 06/15/1998

R.I. STANDARD 43.1.0



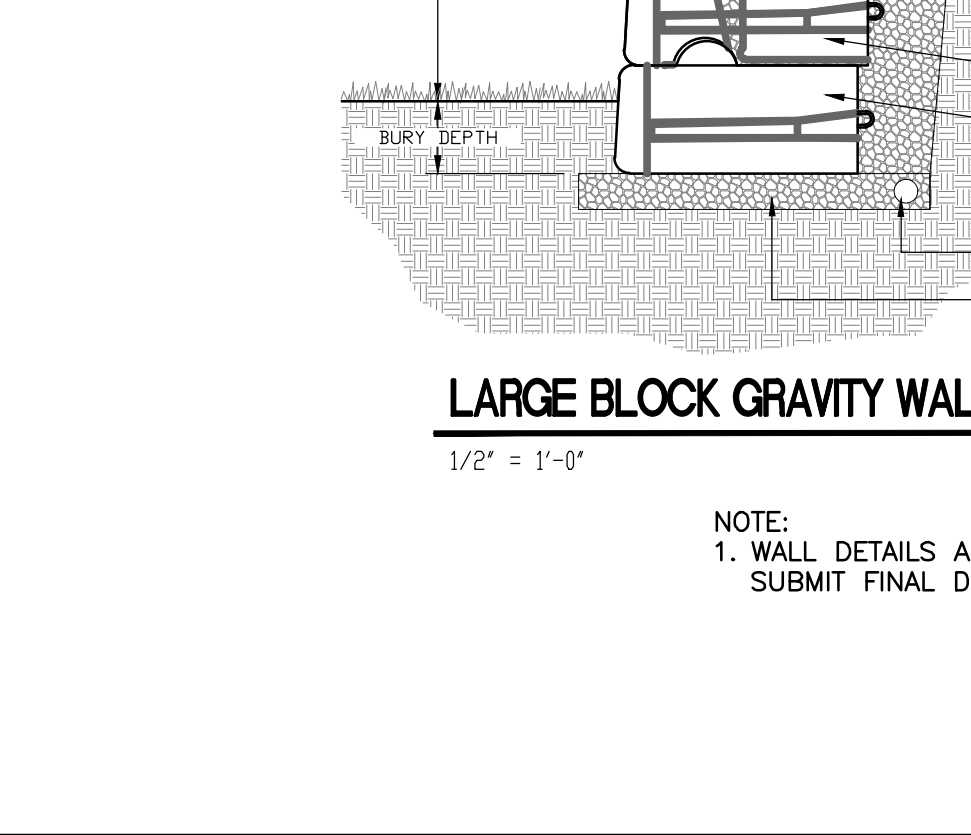
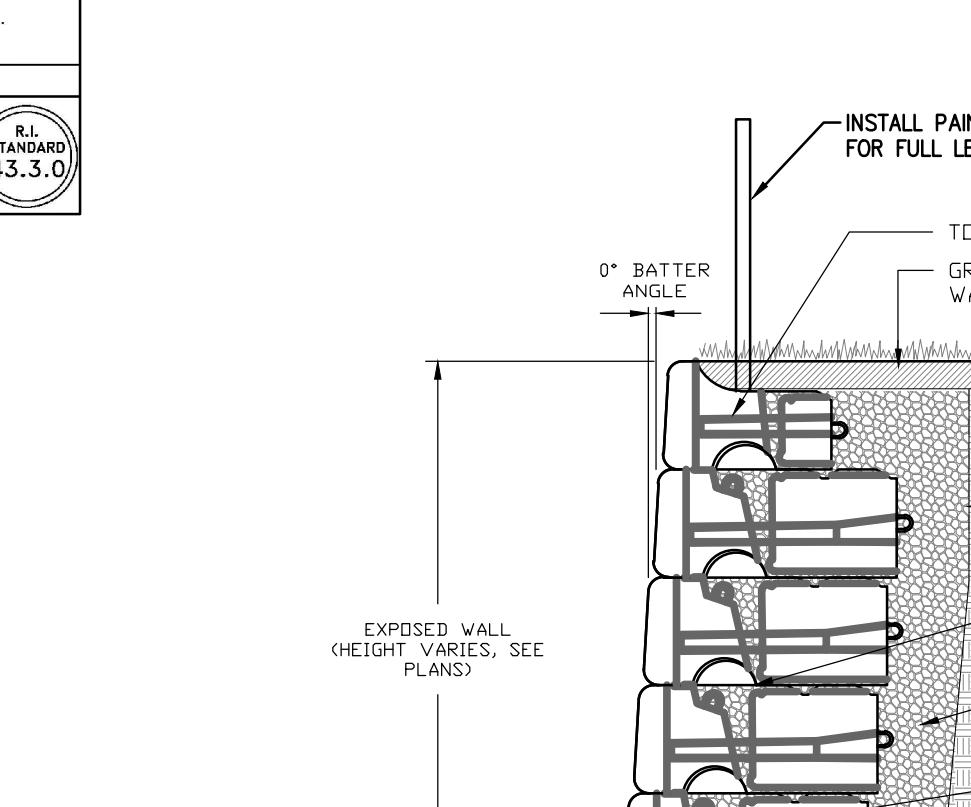
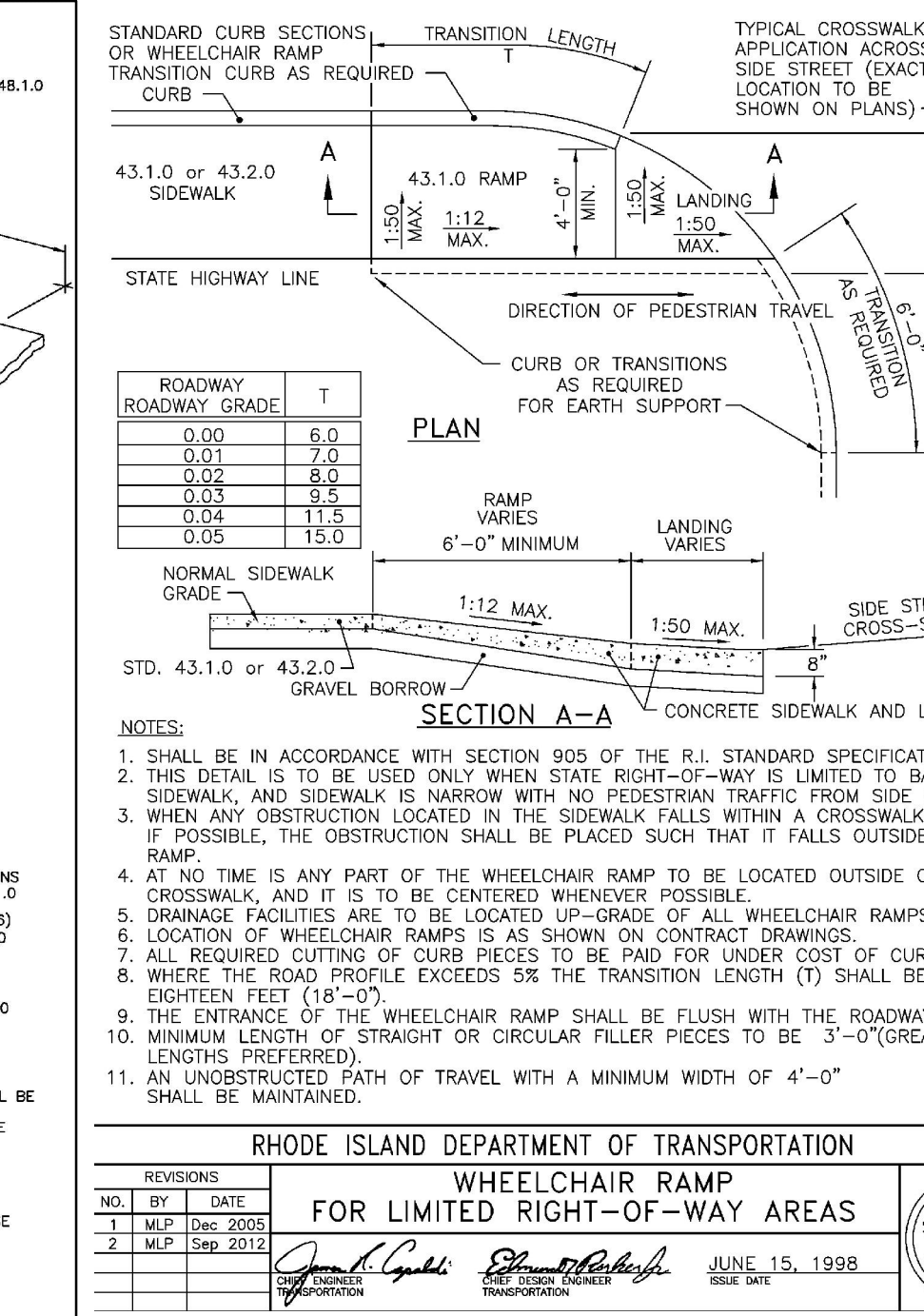
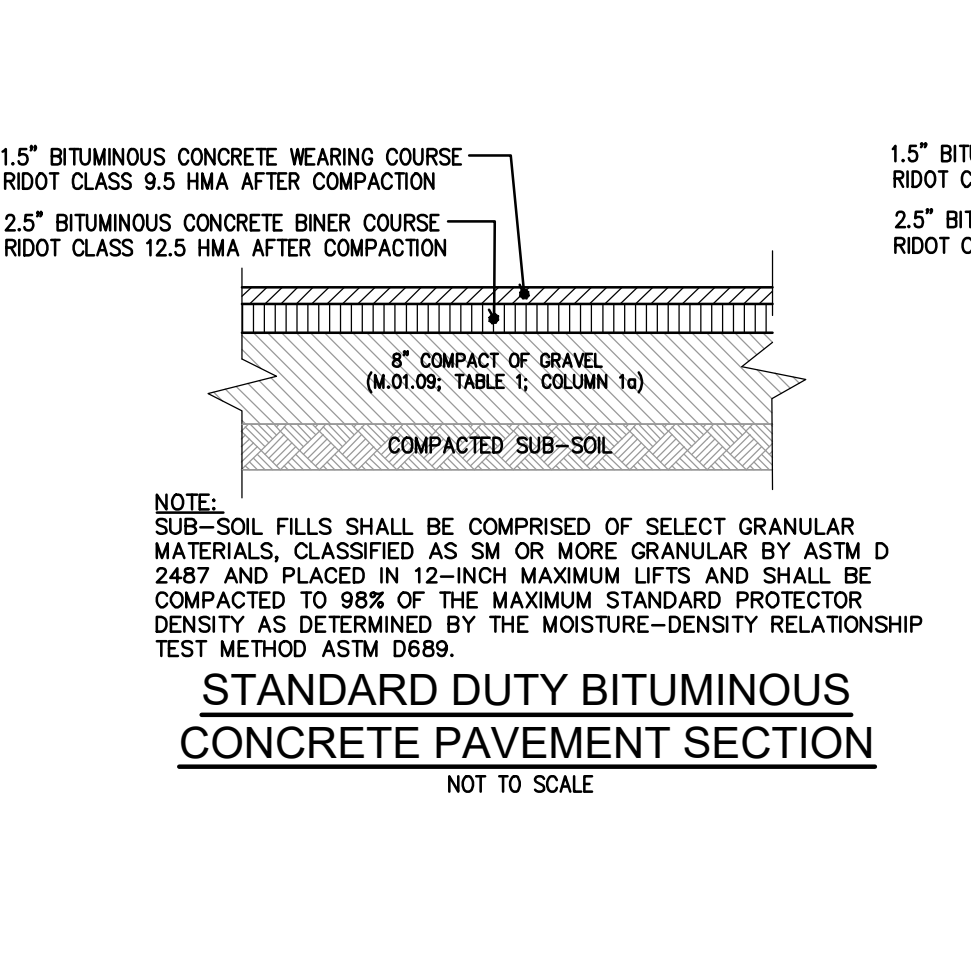
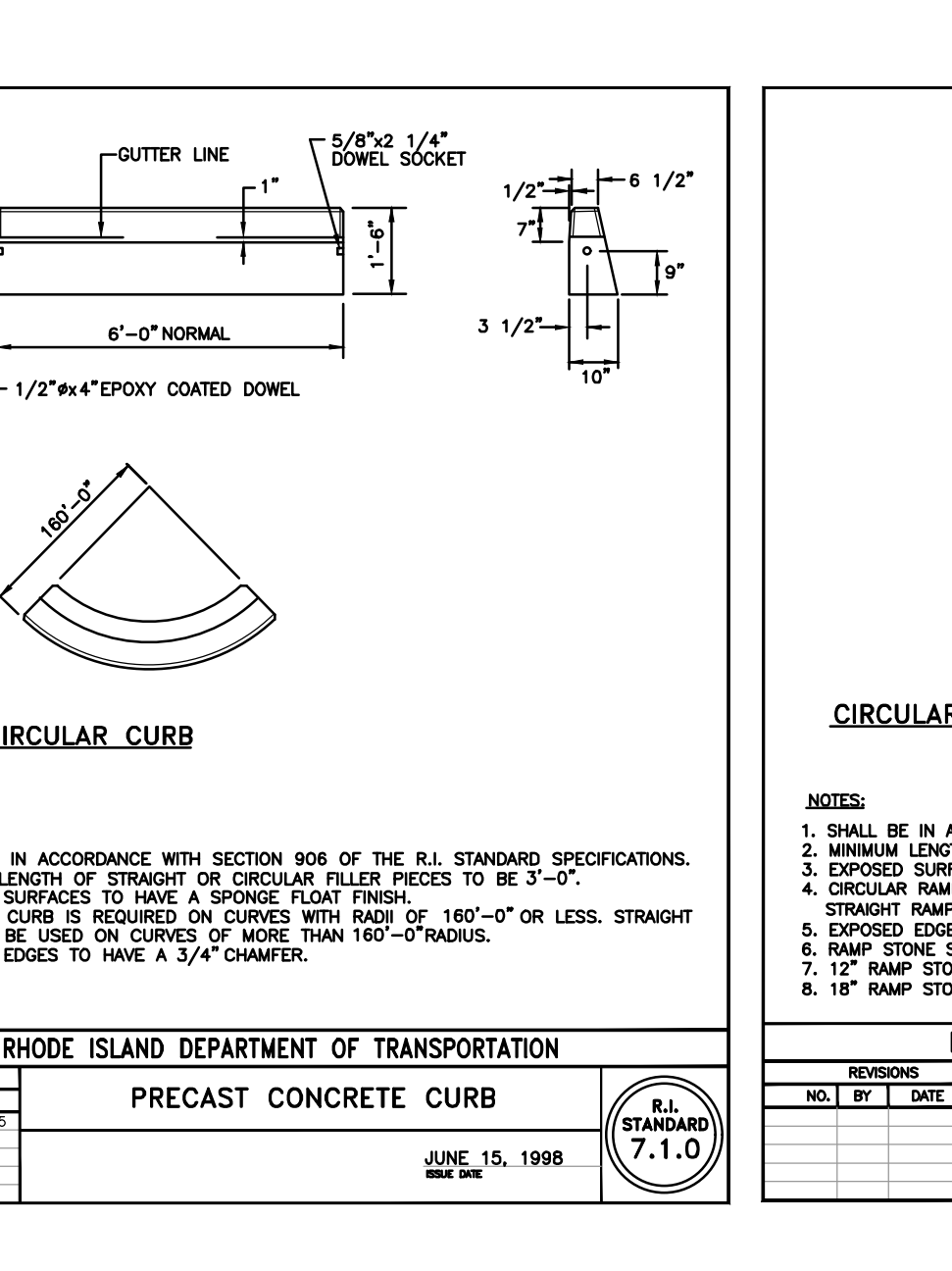
RHODE ISLAND DEPARTMENT OF TRANSPORTATION  
REVISIONS  
NO. BY DATE  
1 JLP 06/15/1998  
2 JLP 06/15/1998

R.I. STANDARD 43.1.0



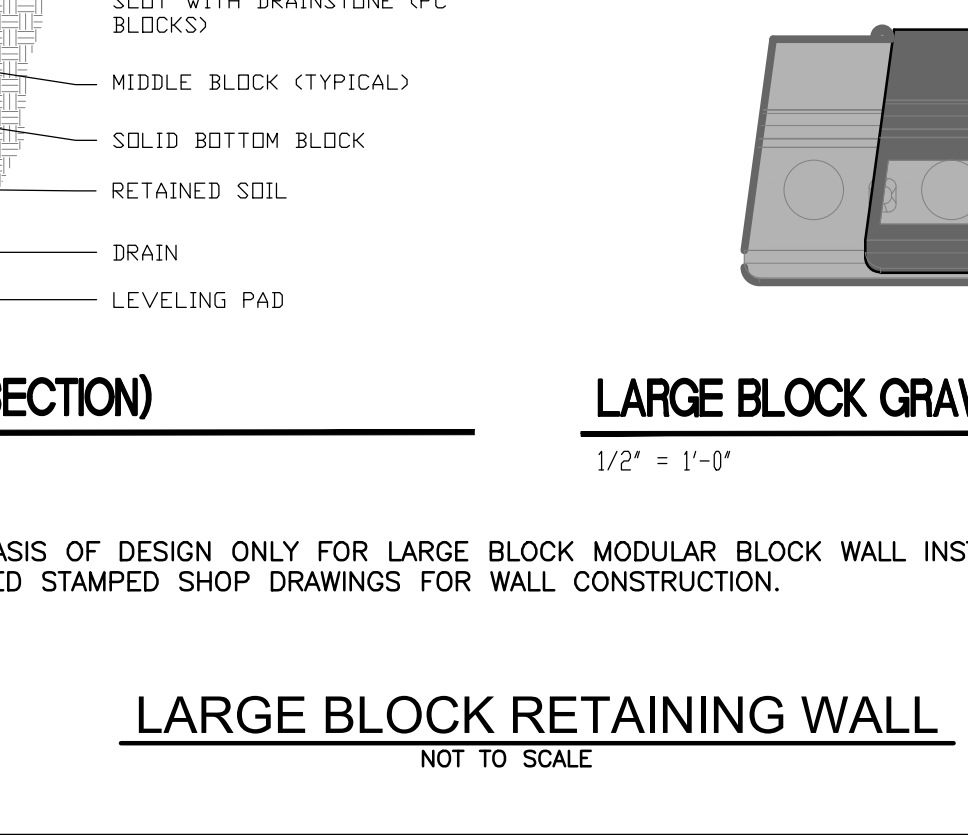
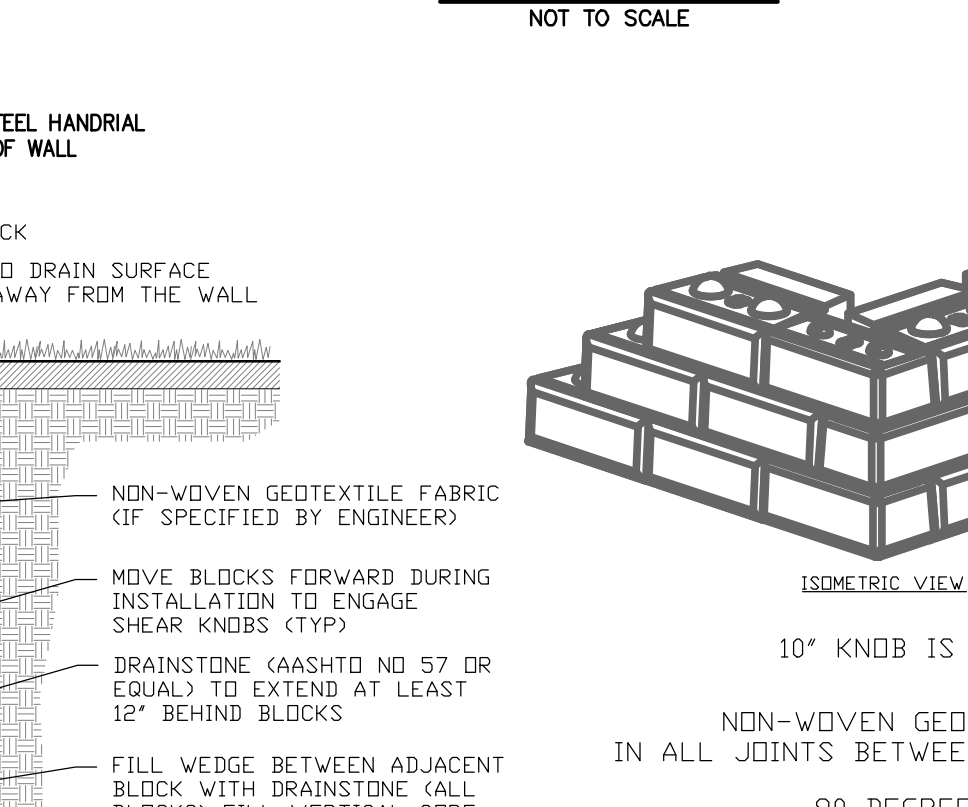
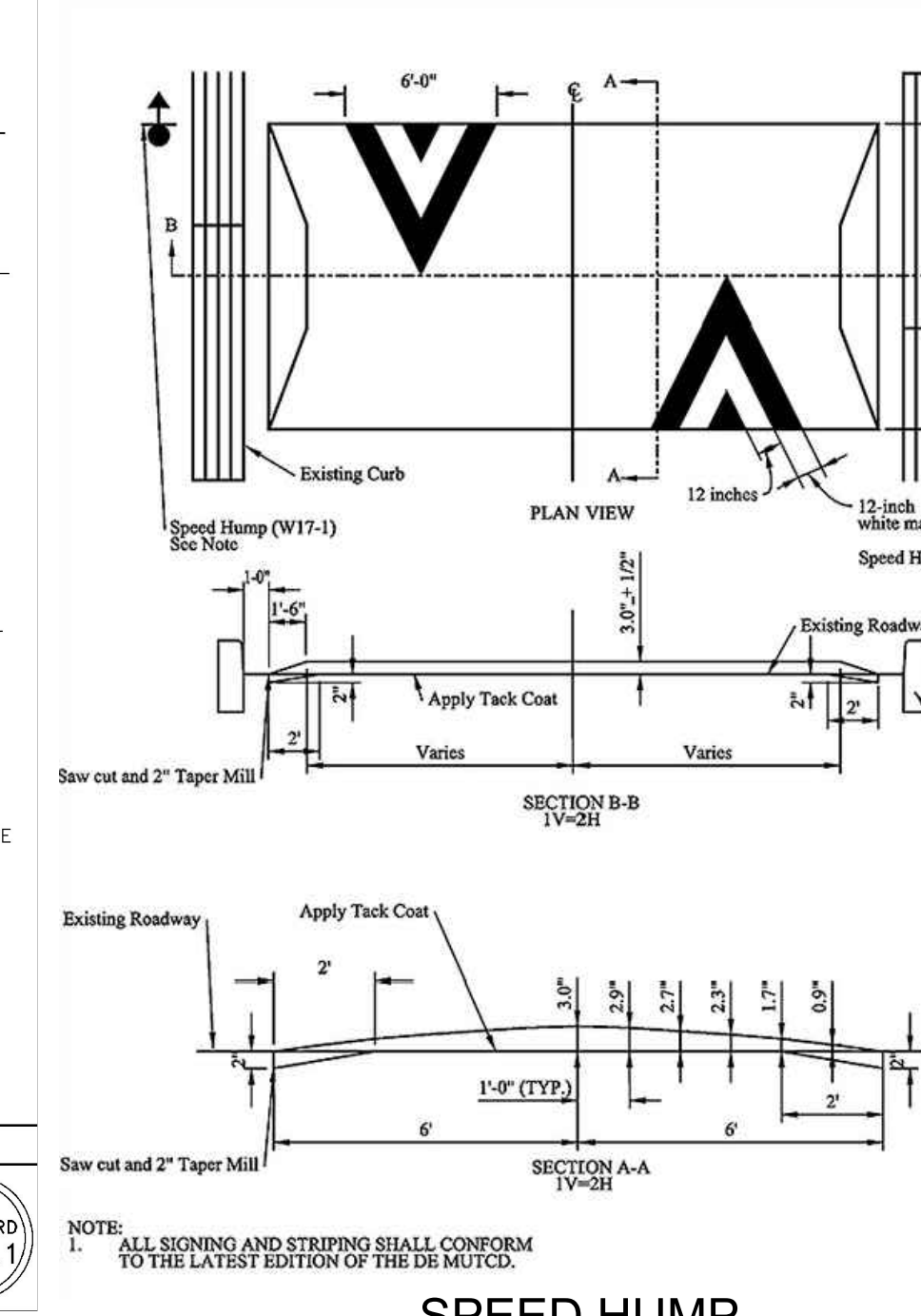
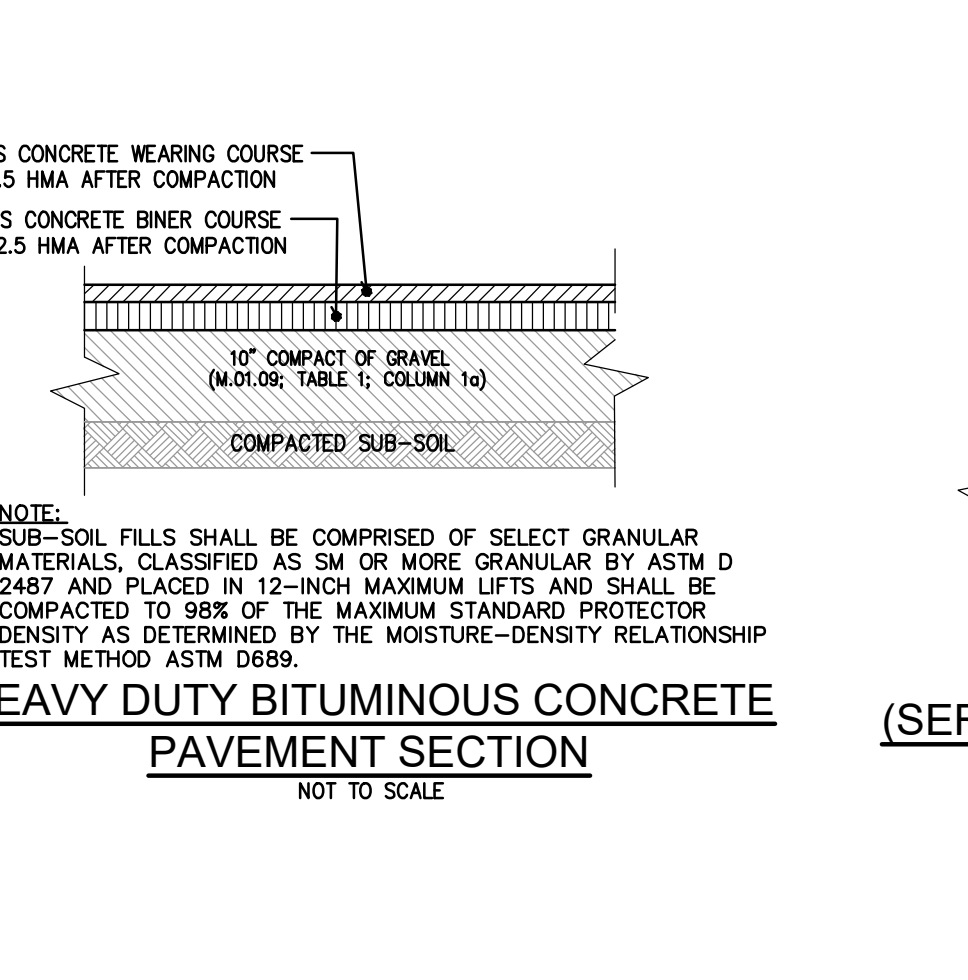
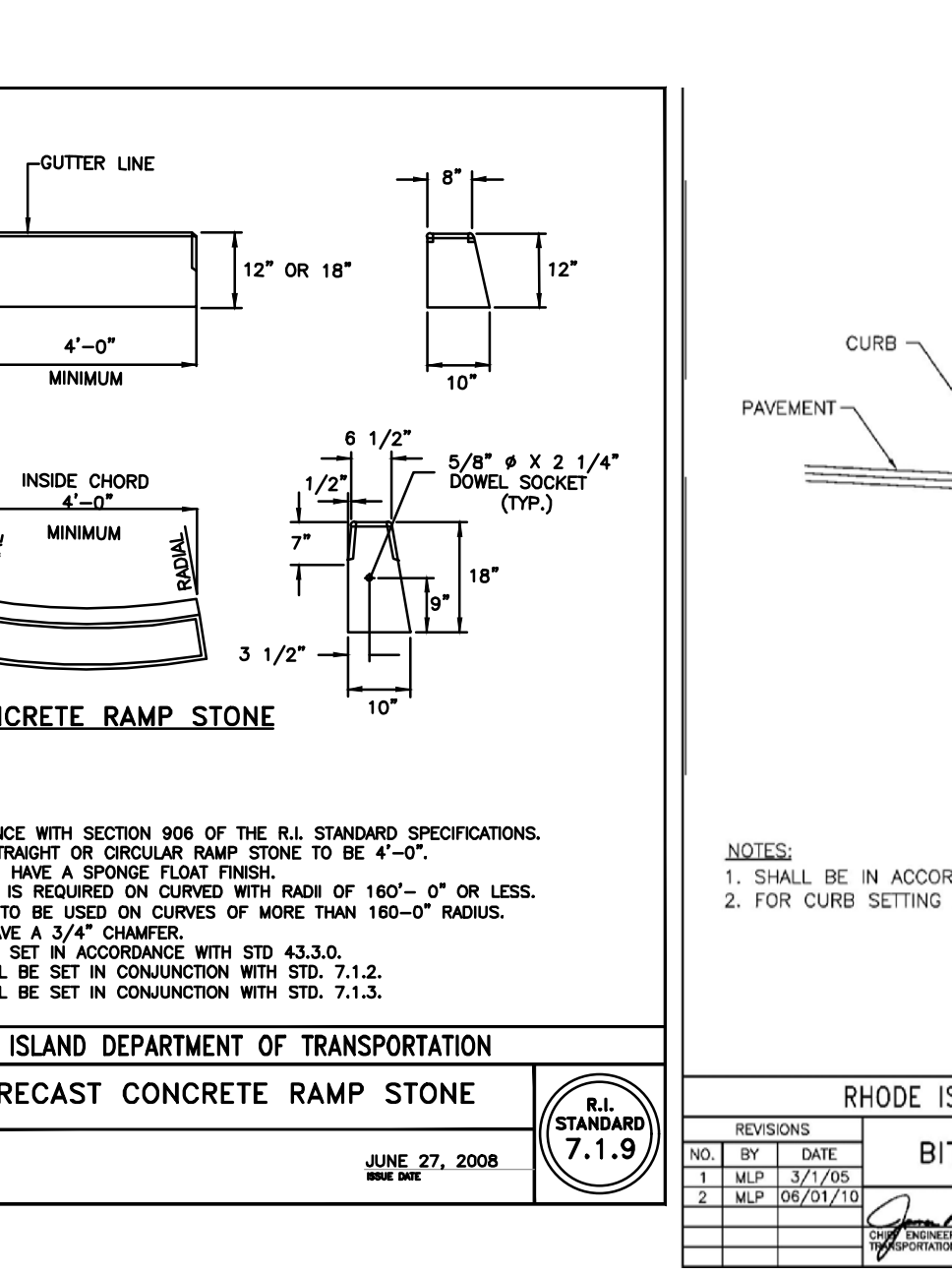
RHODE ISLAND DEPARTMENT OF TRANSPORTATION  
REVISIONS  
NO. BY DATE  
1 JLP 06/15/1998  
2 JLP 06/15/1998

R.I. STANDARD 43.1.0



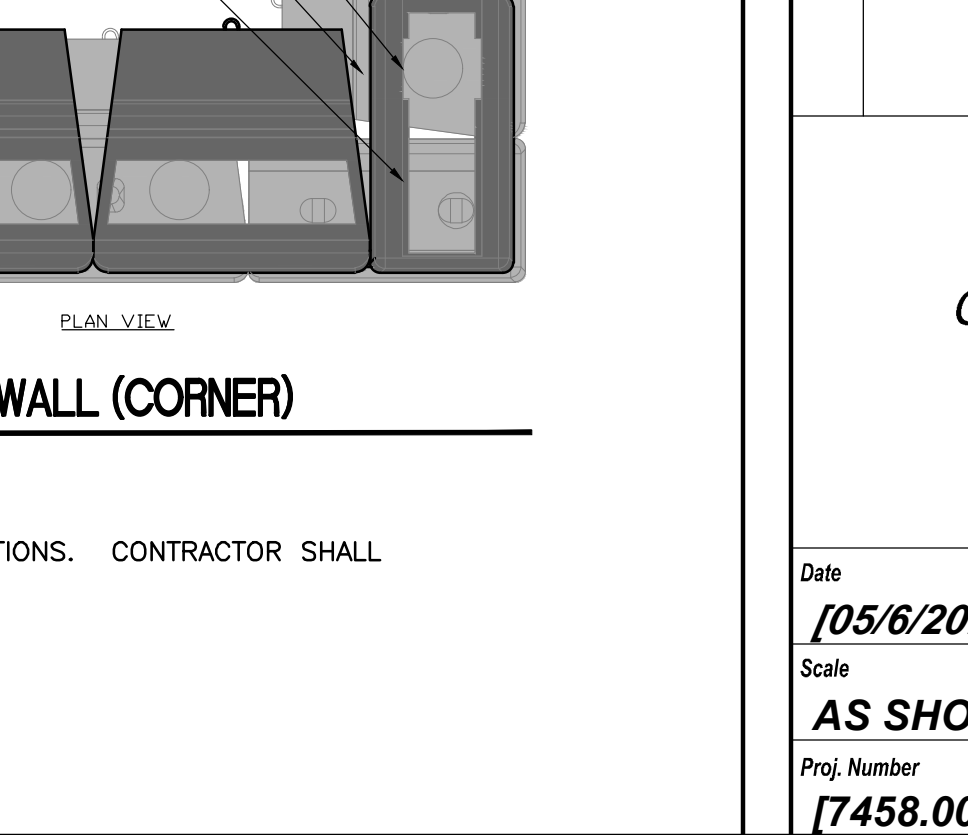
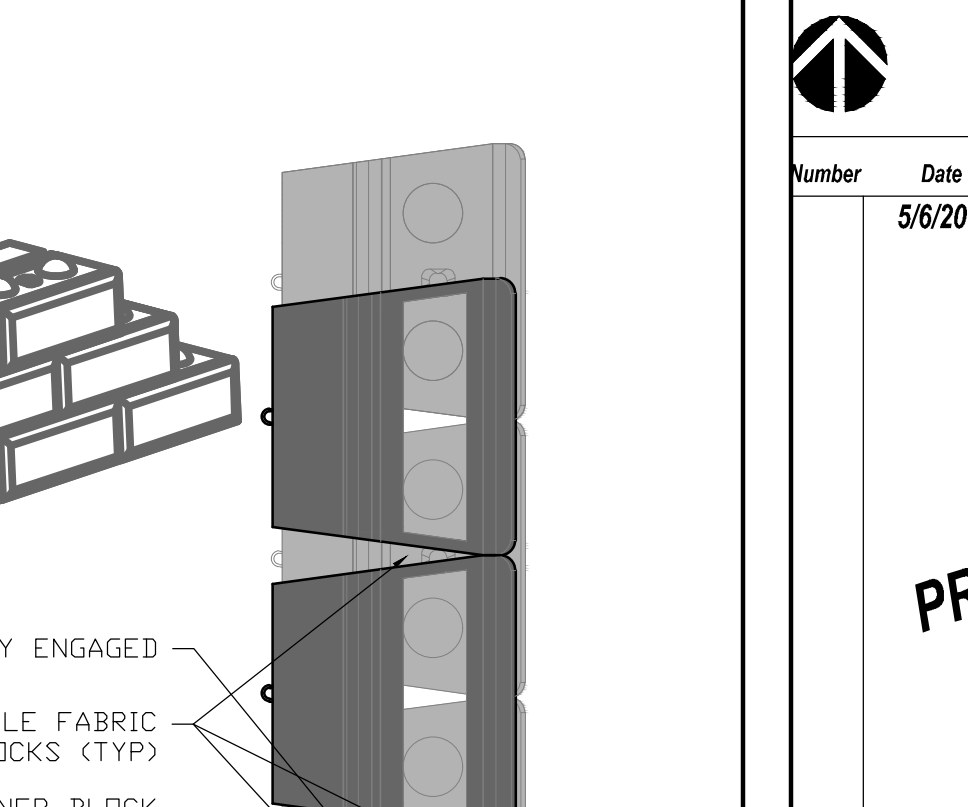
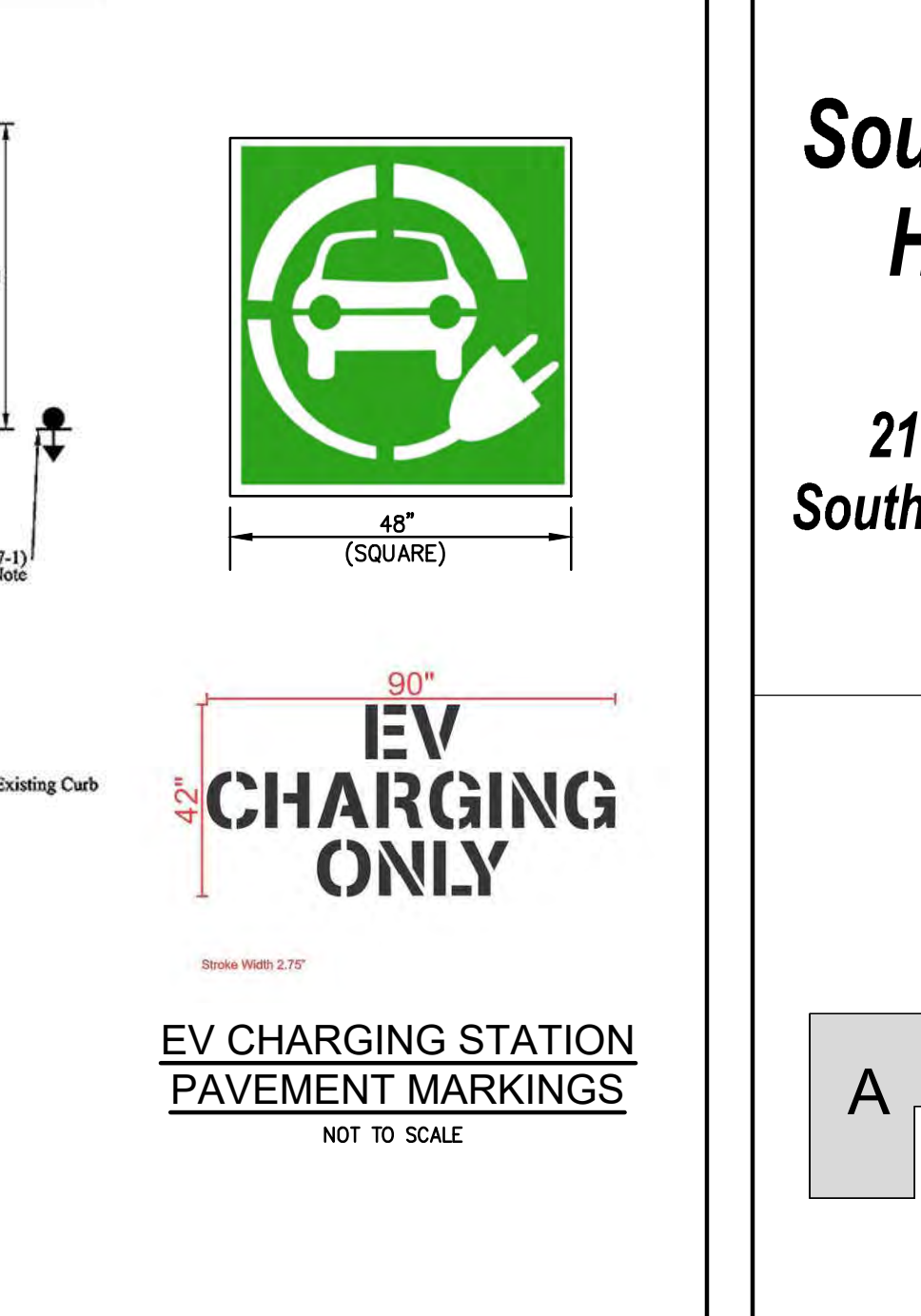
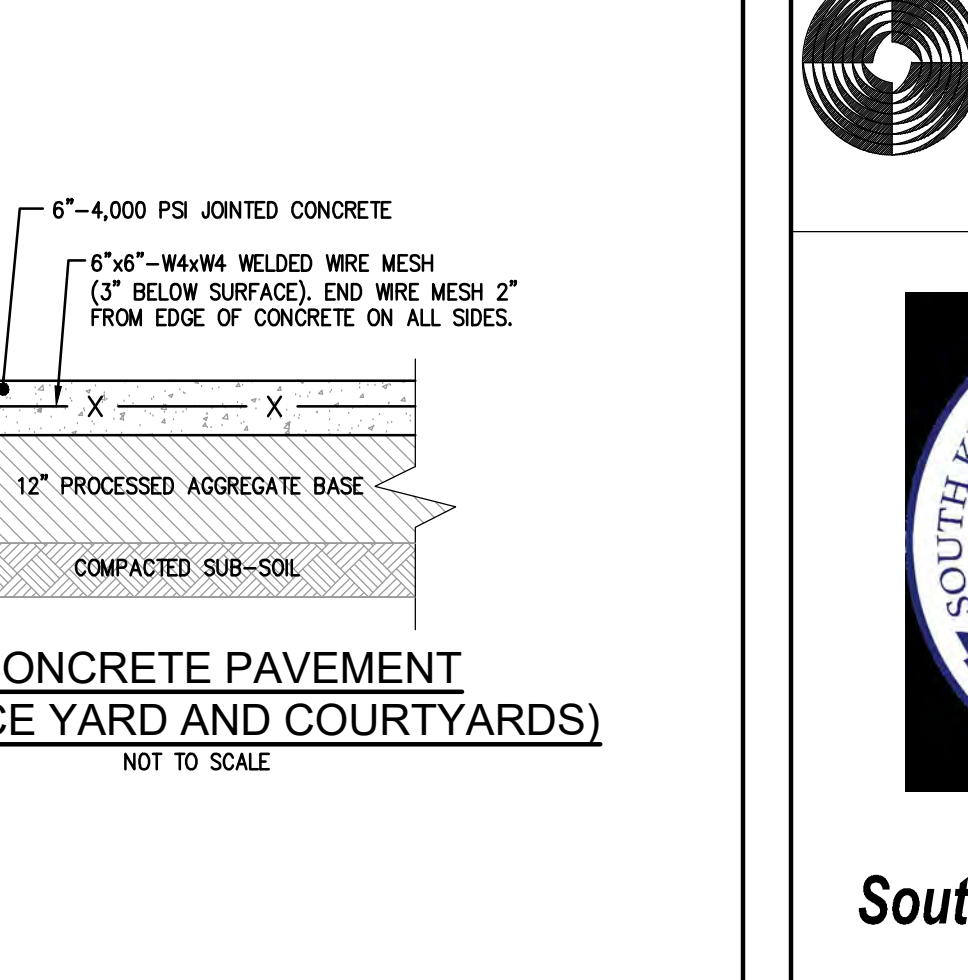
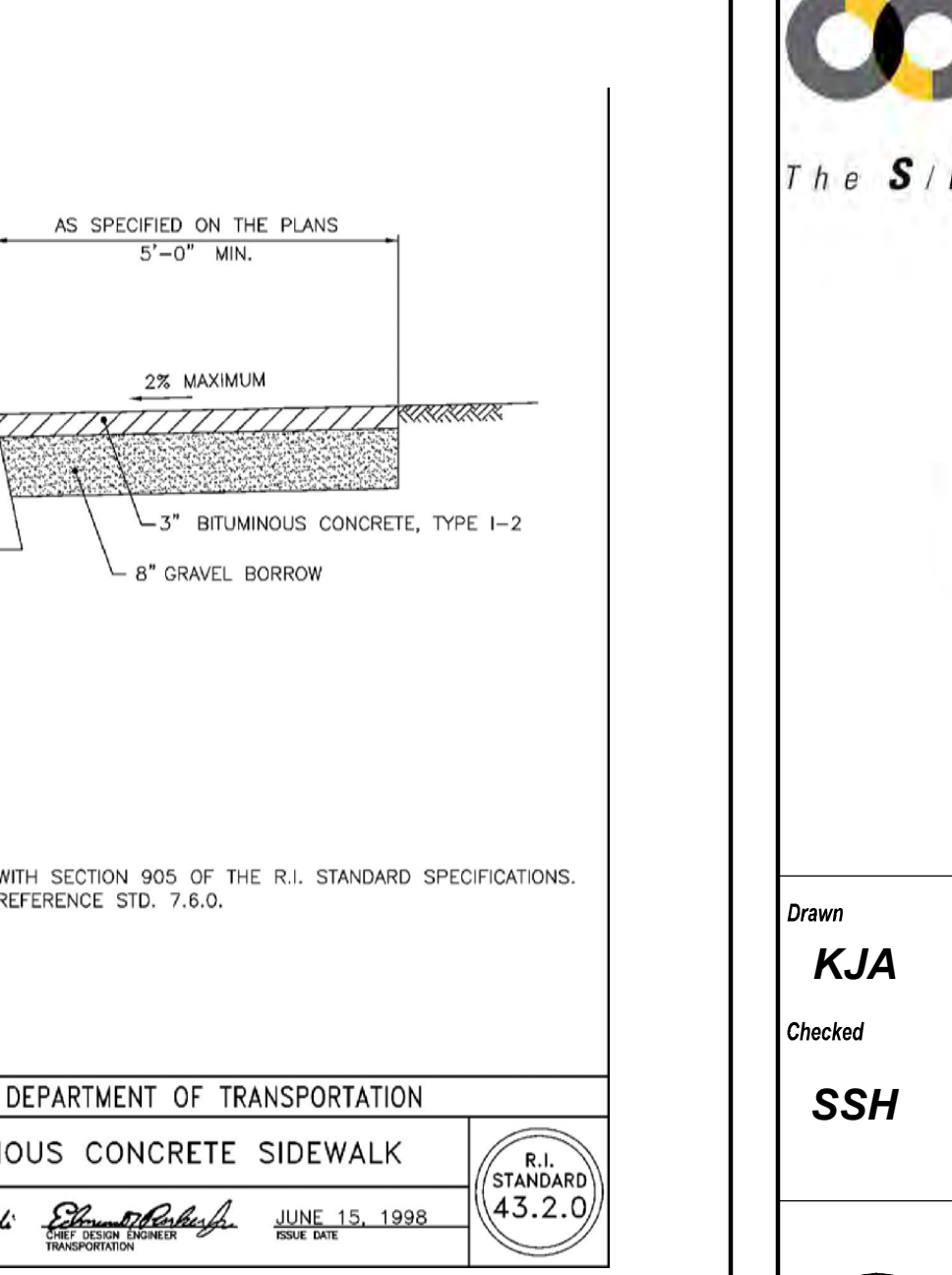
RHODE ISLAND DEPARTMENT OF TRANSPORTATION  
REVISIONS  
NO. BY DATE  
1 JLP 06/15/1998  
2 JLP 06/15/1998

R.I. STANDARD 43.1.0



RHODE ISLAND DEPARTMENT OF TRANSPORTATION  
REVISIONS  
NO. BY DATE  
1 JLP 06/15/1998  
2 JLP 06/15/1998

R.I. STANDARD 43.1.0



RHODE ISLAND DEPARTMENT OF TRANSPORTATION  
REVISIONS  
NO. BY DATE  
1 JLP 06/15/1998  
2 JLP 06/15/1998

R.I. STANDARD 43.2.0

**SLAM**  
The S/L/A/M Collaborative

One Cedar Street  
Suite 201  
Providence, RI 02903  
Phone: 401.563.7046  
www.slamcoll.com

Drawn: KJA  
Checked: SSH

RHODE ISLAND DEPARTMENT OF TRANSPORTATION  
REVISIONS  
NO. BY DATE  
1 JLP 06/15/1998  
2 JLP 06/15/1998

R.I. STANDARD 43.2.0

**GROFALO**  
GROFALO & ASSOCIATES, INC.  
CIVIL & STRUCTURAL ENGINEERS/SURVEYORS  
LAND PLANNERS/ENVIRONMENTAL SCIENTISTS  
85 CORLESS STREET, P.O. BOX 614  
PROVIDENCE, RI 02940 (tel)401-273-6000

**SOUTH KINGSTOWN SCHOOL DISTRICT**  
WAKEFIELD, RHODE ISLAND

South Kingstown School District  
District

South Kingstown High School

215 Columbia Street  
South Kingstown, RI 02879

EV CHARGING ONLY

EV CHARGING STATION PAVEMENT MARKINGS NOT TO SCALE

KEYPLAN

Number: 5/6/2025  
Date: 5/6/2025  
Issued For: LDP Submission

PROGRESS PRINT  
NOT FOR CONSTRUCTION

CONSTRUCTION DETAILS - 1

Date: 05/6/2025  
Scale: AS SHOWN  
Drawing Number: C-8  
Proj. Number: 7458.00