

From: Chris Hiener <chiener@unionfiredistrict.com>
Sent: Monday, September 20, 2021 10:31 AM
To: dkm@groundbreaking-designs.com
Subject: RE: Fire Flow Requirement: North Woods Subdivision - Curtis Corner/South Rd.
Attachments: UFD TurnAround Details-2021.pdf

Good Morning,

I have reviewed you plans.

Per RI Fire Code a Fire Department access road must extend to within 50' of at least one exterior door.

See RIFC (NFPA 1) 18.2.3 Fire Department Access Roads

I have attached turning radius paperwork. Please indicate dimensions of turn around to ensure we will be able to turn around our Ladder Truck.

Add Fire Hydrant at corner of Curtis Corner Rd.

Thank you,

Chris

Chris Hiener, Fire Marshal
Union Fire District
131 Asa Pond Rd
Wakefield, RI 02879
Phone (401)789-8354
Cell (401)255-5921
Fax (401)789-8750
chiener@unionfiredistrict.com
www.unionfiredistrict.com

From: dkm@groundbreaking-designs.com <dkm@groundbreaking-designs.com>
Sent: Monday, September 13, 2021 1:36 PM
To: Chris Hiener <chiener@unionfiredistrict.com>
Subject: Fire Flow Requirement: North Woods Subdivision - Curtis Corner/South Rd.

Hello Chris,

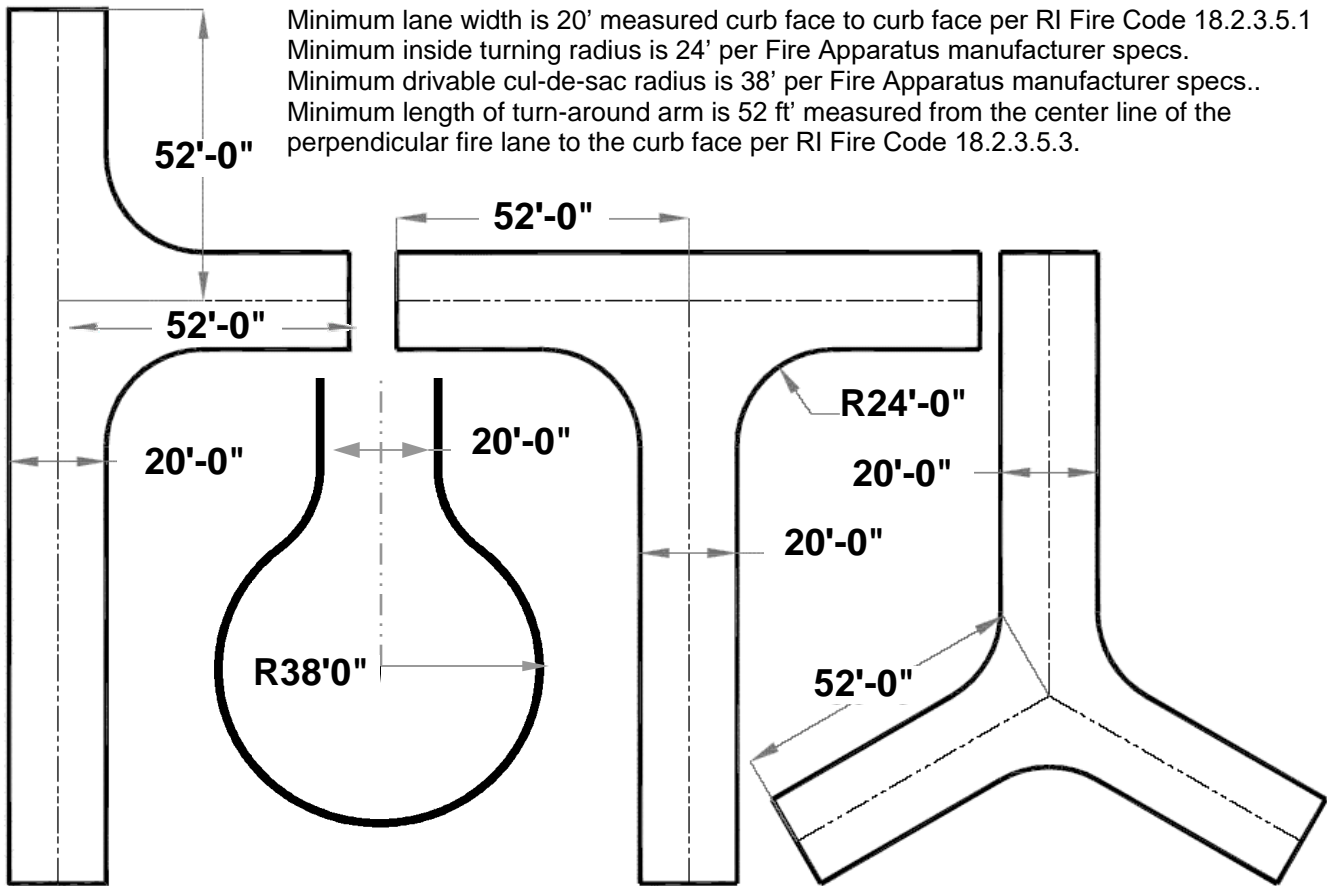
I am working with Michael O'Brien and Earl Greco of Osprey Builders and True North Land Company on the proposed subdivision project "North Woods Subdivision" at the intersection of Curtis Corner and South Road. I know that Earl and Michael have already discussed with you about the proposed roadway layout and the location of the one hydrant. I will get to you the dimensions of the road and turning radiuses, but for now I am working with the water department on the design of the water line for the subdivision and need to know what the required fire flow is for that one hydrant. Can you please send an email or write a letter dictating the required fire flow?

Attached is the plan sheet showing the 15 lots to be serviced by the proposed private roadway and the hydrant location. If you need further information, please do not hesitate to contact me. Thank you.

David K. Manoni, P.E.
Groundbreaking Designs, LLC
(401) 622-2932

Approved Fire Apparatus Turn-Around Minimum Dimensions

Minimum lane width is 20' measured curb face to curb face per RI Fire Code 18.2.3.5.1
 Minimum inside turning radius is 24' per Fire Apparatus manufacturer specs.
 Minimum drivable cul-de-sac radius is 38' per Fire Apparatus manufacturer specs..
 Minimum length of turn-around arm is 52' measured from the center line of the perpendicular fire lane to the curb face per RI Fire Code 18.2.3.5.3.




(Not to scale)

NOTES:

1. For hammer-head and "T" configurations, measurements are from the face of the curb to the centerline of fire lane width. Where the fire lane exceeds 20 feet in width, measurement is from the end of the turn-around arm to 10 feet across the fire lane.
2. For "Y" configurations, measurements are from the face of the curb at the end of the turn-around arm to the point of intersection as measured along the centerlines of the arms.
3. For cul-de-sac configurations, radius measurement is from the face of the curb to the center of the cul-de-sac.
4. Approved Fire Lane signage shall be installed in accordance with RI Fire Code 18.2.3.6.

Code Reference: 2018 RI Fire Code 18.2.3 Fire Department Access Roads

UNION FIRE DISTRICT FIRE MARSHALS' OFFICE APPROVED BY <u>Chris Steiner</u> Date: 8/20/2021 Fire Marshal	Union Fire District FIRE APPARATUS TURN-AROUNDS	
--	---	---